

# HyperDeck Studio Pro



HyperDeck Studio Pro is the ultimate in compatibility and technology, featuring a more advanced design that includes 6G-SDI so you get SD, HD and Ultra HD formats, plus HyperDeck Studio Pro includes a wide range of video and audio connections in both analog and digital so you get the widest compatibility with older and newer equipment. Get SD, HD up to 1080p60 and Ultra HD up to 2160p30 all in the one deck! Also includes 6G-SDI and Quad SDI, HDMI 4K, analog component, balanced analog audio and AES/EBU audio compatibility. You even get built in Thunderbolt for computer capture and UltraScope software for live scopes!

**\$1,995**

## Connections

### SDI Video Inputs

1

### SDI Video Outputs

4, Single Link or Quad Link.

### SDI Rates

270Mb, 1.5G, 3G, 6G.

### HDMI Video Inputs

1 x HDMI type A connector including Ultra HD 4K support.

### HDMI Video Outputs

1 x HDMI type A connector including Ultra HD 4K support.

### Analog Video Inputs

Y, B-Y, R-Y

### Analog Video Outputs

Y, B-Y, R-Y

### Analog Audio Inputs

2 x XLR connectors for professional balanced analog audio. 2 x RCA connectors for unbalanced analog audio from consumer equipment.

### Analog Audio Outputs

2 x XLR connectors for professional balanced analog audio.

### Timecode Connection

1 x XLR in and 1 x XLR out.

### SDI Audio Inputs

16 channels embedded in SD and HD in QuickTime files. 2 channels in Avid DNxHD MXF files.

### SDI Audio Outputs

16 channels embedded in SD and HD in QuickTime files. 2 channels in Avid DNxHD MXF files.

### HDMI Audio Inputs

8 channels embedded in SD and HD in QuickTime files. 2 channels in Avid DNxHD MXF files.

### HDMI Audio Outputs

8 channels embedded in SD and HD in QuickTime files. 2 channels in Avid DNxHD MXF files.

### Reference Input

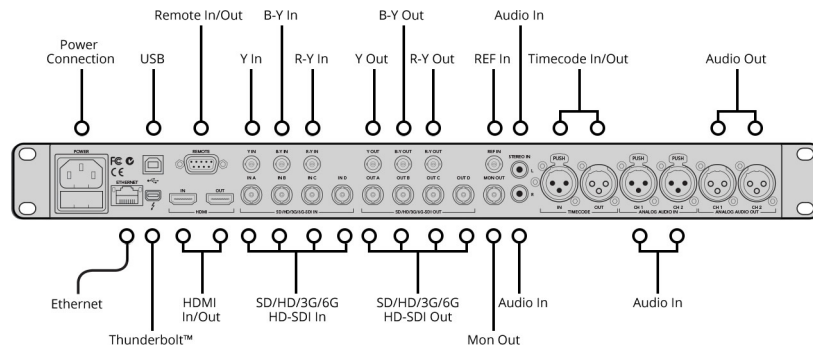
Tri-Sync or Black Burst.

### Recorder Configuration

Front panel configurable or USB 2.0 high speed interface.

### Computer Interface

1 x type B USB 2.0 port for initial setup, software updates and HyperDeck Utility software control.



## Standards

### SD Video Standards

525i59.94 NTSC, 625i50 PAL

### HD Video Standards

720p50, 720p59.94, 720p60  
 1080p23.98, 1080p24, 1080p25,  
 1080p29.97, 1080p30, 1080p50,  
 1080p59.94, 1080p60  
 1080PsF23.98, 1080PsF24, 1080PsF25,  
 1080PsF29.97, 1080PsF30  
 1080i50, 1080i59.94, 1080i60

### Ultra HD Video Standards

2160p23.98, 2160p24, 2160p25,  
 2160p29.97, 2160p30

### SDI Compliance

SMPTE 259M, SMPTE 292M,  
 SMPTE 296M, SMPTE 425M Level B

### SDI Metadata Support

Time Code: HD RP188. Closed  
 Captioning: CEA-708.

### Audio Sampling

Television standard sample rate of  
 48kHz and 24-bit

### Video Sampling

4:2:2

### Color Precision

10-bit

### Color Space

REC 601, REC 709

### Copy Protection

HDMI input is unable to capture from  
 copy protected HDMI sources. Always  
 confirm copyright ownership before  
 capture or distribution of content.

## Media

### Media

2 x SSD for SD, HD and Ultra HD  
 recording.

### Media Type

SATA-II or SATA-III solid state disc.

### Media Format

Can format discs to ExFAT (Windows/  
 Mac) or HFS+ (Mac) file systems.

## Supported Codecs

Uncompressed QuickTime, ProRes 422 HQ QuickTime, ProRes 422 QuickTime, ProRes 422 LT QuickTime, ProRes 422 Proxy  
 QuickTime, Avid DNxHD QuickTime and Avid DNxHD MXF up to 1080i60.

## Computer Capture

Thunderbolt for Mac/Windows.

---

## Control

### Built in Control Panel

12 buttons for transport and menu control, 2.2 inch color display.

### External Control

RS-422 deck control, SDI start/stop, timecode run. Includes Blackmagic HyperDeck SDK and Ethernet HyperDeck Control Protocol.

---

## Software

### Software Included

Media Express, Disk Speed Test, Blackmagic System Preferences and Blackmagic driver (Mac only).

### Internal Software Upgrade

Firmware built into software driver. Loaded at system start, or via updater software.

---

## Operating Systems



macOS 10.12 Sierra, macOS High Sierra 10.13 or later.



Windows 8.1 or Windows 10.

---

## Display

Built in LCD for video, audio and timecode monitoring and menu settings.

---

## Physical Installation

1 rack unit size. Less than 7 inches deep.

---

## Power Requirements

### Power Supply

1x Internal 100 - 240V AC.

---

## Physical Specifications



---

## What's Included

HyperDeck Studio Pro

SD card with software, user manual, Blackmagic HyperDeck SDK and Ethernet HyperDeck Control Protocol.

---

## Warranty

12 Month Limited Manufacturer's Warranty.

---

All items on this website are copyright Blackmagic Design Pty. Ltd. 2018, all rights reserved.  
All trademarks are property of their respective owners. MSRP excludes sales taxes/duties and shipping costs.  
This website uses remarketing services to advertise on third party websites to previous visitors to our site.  
You can opt out at any time by changing cookie settings.

Blackmagic Design Authorized Reseller